

Lenze miniature spring applied brake

Type **BFK.457**

3 sizes 0.5-2 Nm torque

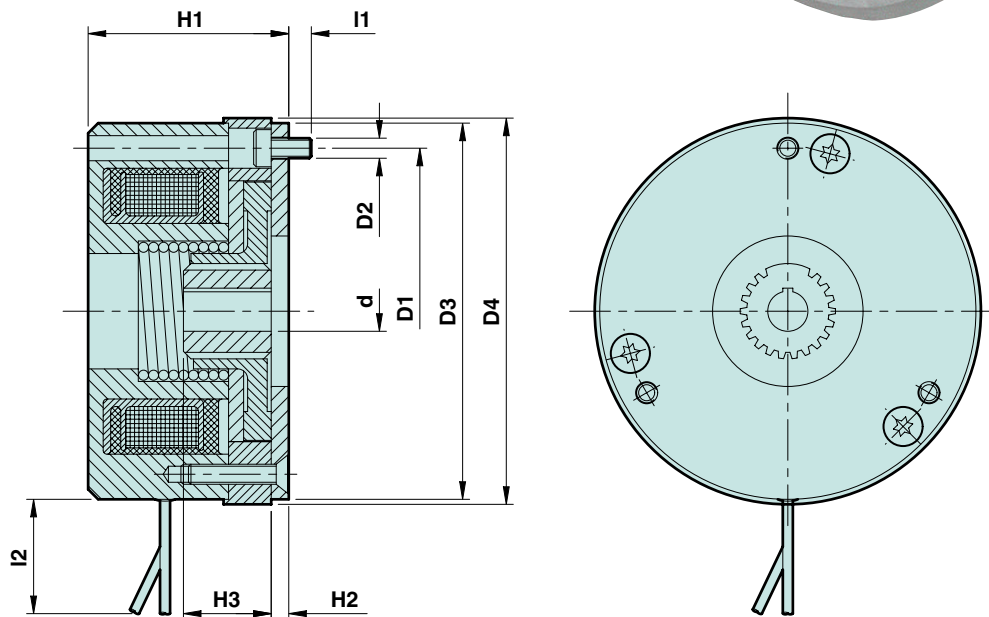
Compact design, fast operation

Integral flange and mounting screws

Pre-adjusted airgap

These electromagnetically released brakes are selected where rapid stopping or rated holding of small machines is required. The involute hub to rotor design allows axial shaft movement without affecting performance.

Six larger sizes of this brake series BFK457 with torques from 4 to 125Nm are available on request.



Size	M _K Nm	P _{20°} W	d ^{H7} *	D1	D2	D3	D4	H1	H2	H3	I1	I2	S _{Lü}	S _{ümax}	m kg
03	0.5	9	6/7	48	3xM3x8	56	58	34.7	2.5	15	5.5	400	0.15	0.4	0.4
04	1	12.5	7/8/10	58	3xM3x8	65	67	34.7	3.5	15	4.5	400	0.15	0.4	0.5
05	2	16	8/10	66	3xM4x8	75	77	37.7	3.5	15	4.5	400	0.15	0.4	0.7

Size	Bore d ^{H7}	Stockline No. 24V d.c.	Stockline No. 205V d.c.
03	6	A5-642 001	A5-642 036
	7	A5-642 028	A5-642 044
04	7	A5-642 052	A5-642 079
	8	A5-642 060	A5-642 087
	10	A5-648 301	A5-662 181
05	8	A5-642 095	A5-642 115
	10	A5-642 107	A5-642 123

* keyways to BS4235

Mounting

Tolerance the shaft to k6 and secure the hub axially. Engage the brake rotor over the hub and fasten the screws to the wall surface.

Electrical supply

These brakes are stocked with 24V d.c. or 205V d.c. coils. A 24V d.c. supply can be provided by a Simplavolt unit. Alternatively, rectifiers can provide a 205V d.c. supply.

See [electrical accessories](#).

View the [Safety Fitting and Operating Instruction Leaflet No. 423](#).

Ordering example

(7) off miniature spring applied brakes with 24V coils, 7mm bore, type BFK.457.03

Stockline No. **A5-642 028**