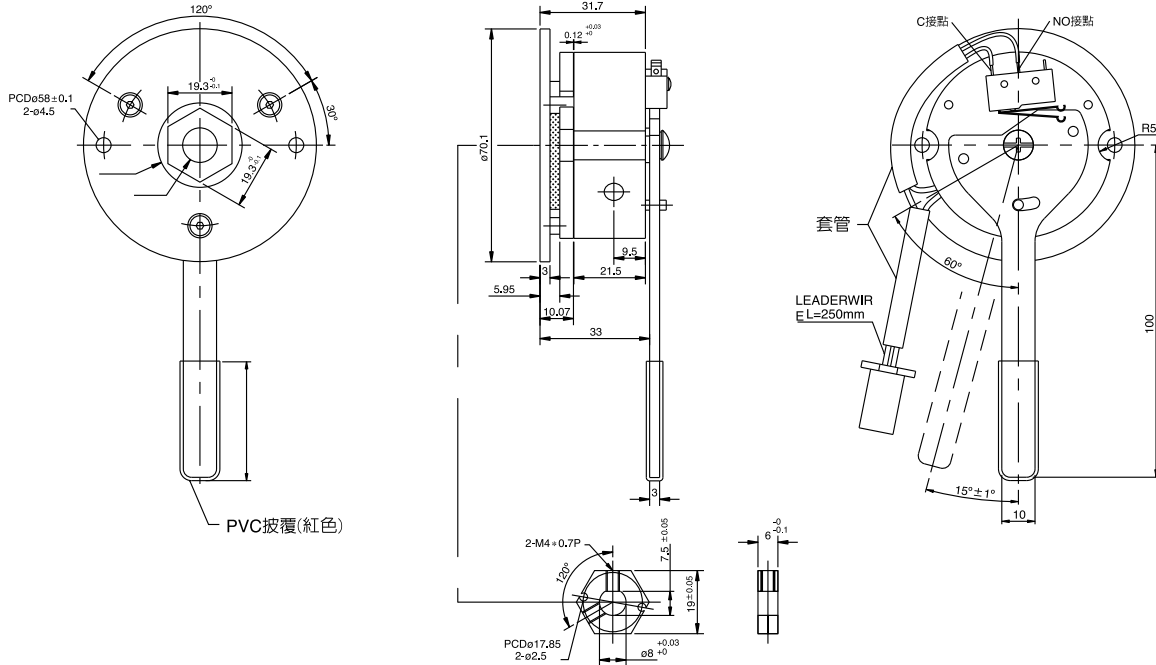


# ALYOS3AF

## 安全煞車器-釋放手柄 Safety Brake - Handle Release

### 產品規格表 SPECIFICATIONS:

型號 Model	電壓 D.C. Voltage	阻抗 D.C. Resistance	功率 Power	絕緣等級 Insulation Classification	動摩擦轉距 Dynamic Friction Torque kgm(Nm)	靜摩擦轉距 Static Friction Torque kgm(Nm)	絕緣阻抗 Insulation Resistance	絕緣耐壓 Insulation Pressure Durability	作動電壓 Dynamic Voltage	間隙 (mm) Gap	重量 (kg) Weight
ALYOS3AF	24V	52Ω	10.8W	F	0.3(3.0)	0.35(3.5)	500VDC/50MΩ以上	1500V/1MA/1SEC	16V	0.1-0.15	0.5



# ALYOS4AA

## 安全煞車器-釋放手柄 Safety Brake- Handle Release

### 產品規格表 SPECIFICATIONS:

型號 Model	電壓 D.C. Voltage	阻抗 D.C. Resistance	功率 Power	絕緣等級 Insulation Classification	動摩擦轉距 Dynamic Friction Torque kgm(Nm)	靜摩擦轉距 Static Friction Torque kgm(Nm)	絕緣阻抗 Insulation Resistance	絕緣耐壓 Insulation Pressure Durability	作動電壓 Dynamic Voltage	間隙 (mm) Gap	重量 (kg) Weight
ALYOS4AA	24V	46Ω	12W	F	0.4(4.0)	0.45(4.5)	500VDC/50MΩ以上	1500V/1MA/1SEC	16V	0.13-0.18	0.6

