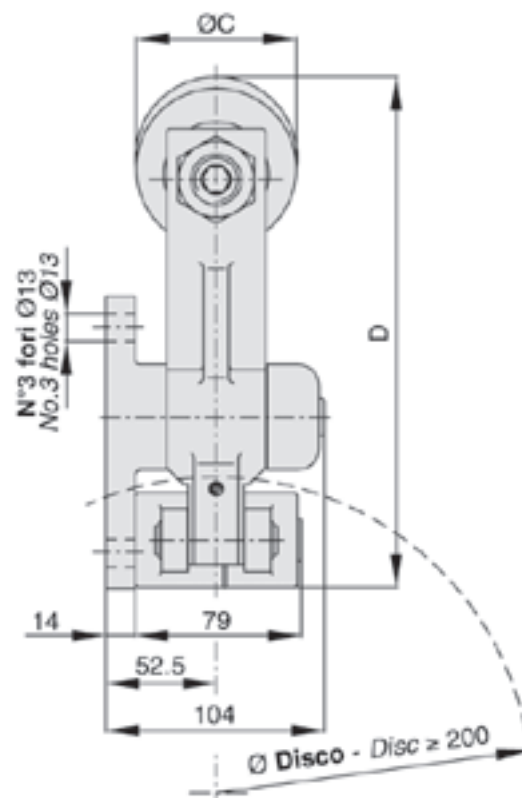
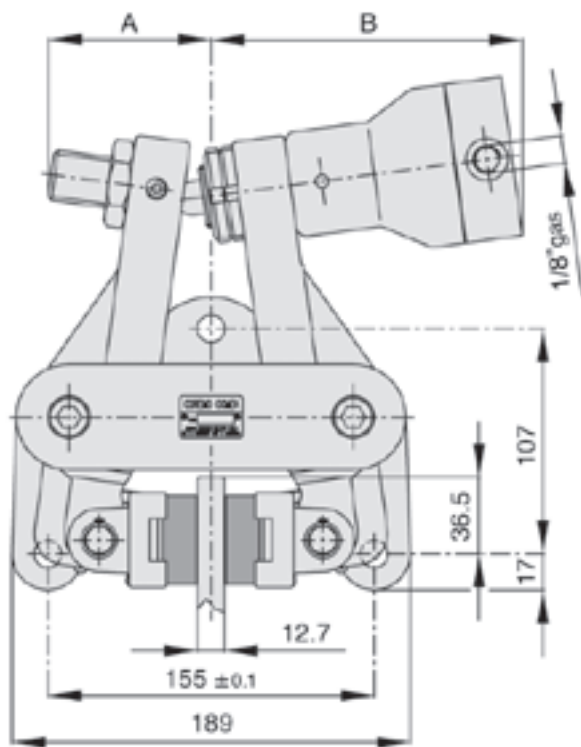
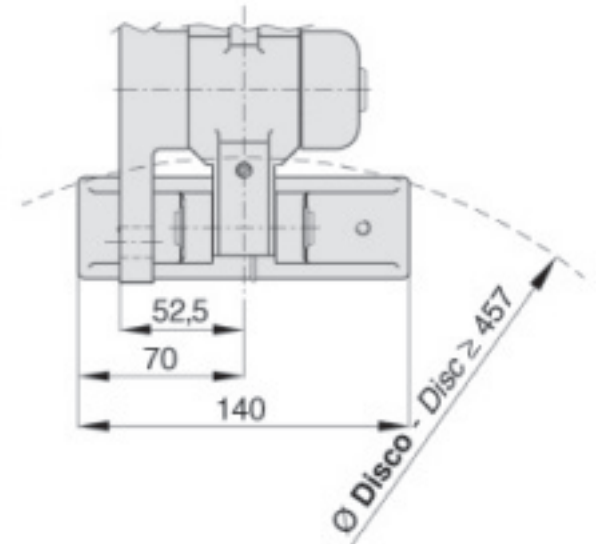




# Coremo Ocmea Hydraulically Actuated A3



Versione pattino doppio  
Double pad version



TIPO SIZE	Cod. Prodotto Product Number		A	B	ØC	D	Volume olio Oil Volume dm <sup>3</sup>	Peso Weight kg
	S.P.	S.U.						
A3-ID	A2173	A2176	77	148	76	242.5	0.025	13
S.P. = Produzione Standard / Standard Production S.U. = Con segnalatore di usura / With Wear Indicator								

**Attenzione:** La coppia iniziale può essere dal 30% al 50% in meno rispetto al valore nominale, fino all'assestamento del ferodo sul disco.  
**Warning:** The initial torque on new units can be 30% to 50% less than the catalogue value until the friction facing and friction disc are lapped or worn in.



INDUSTRIAL CLUTCH PARTS

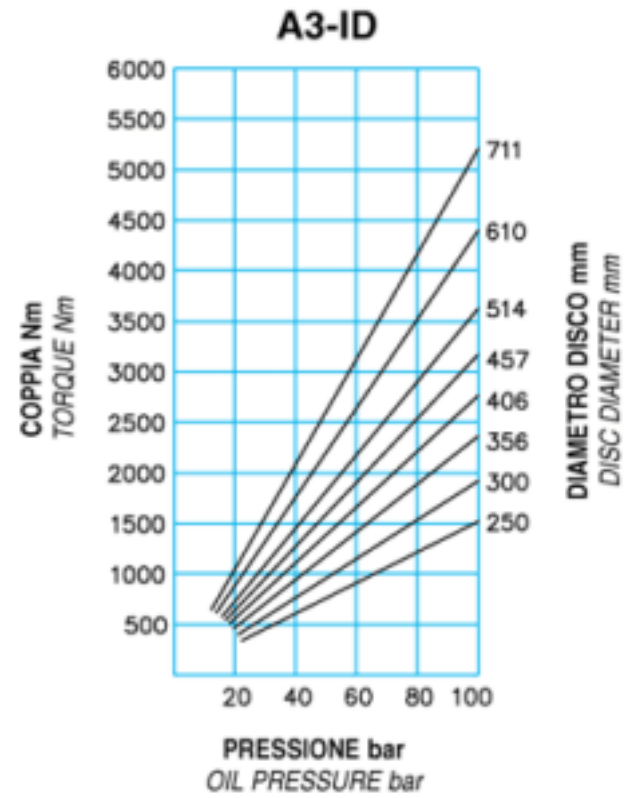
Industrial Clutch Parts Ltd, Bingswod Industrial Estate,  
Whaley Bridge, High Peak, United Kingdom SK23 7LY

Tel: +44 (0) 1663 734 627 Fax: +44 (0) 1663 733 023

[www.IndustrialClutch.com](http://www.IndustrialClutch.com)



# Coremo Ocmea Hydraulically Actuated A3



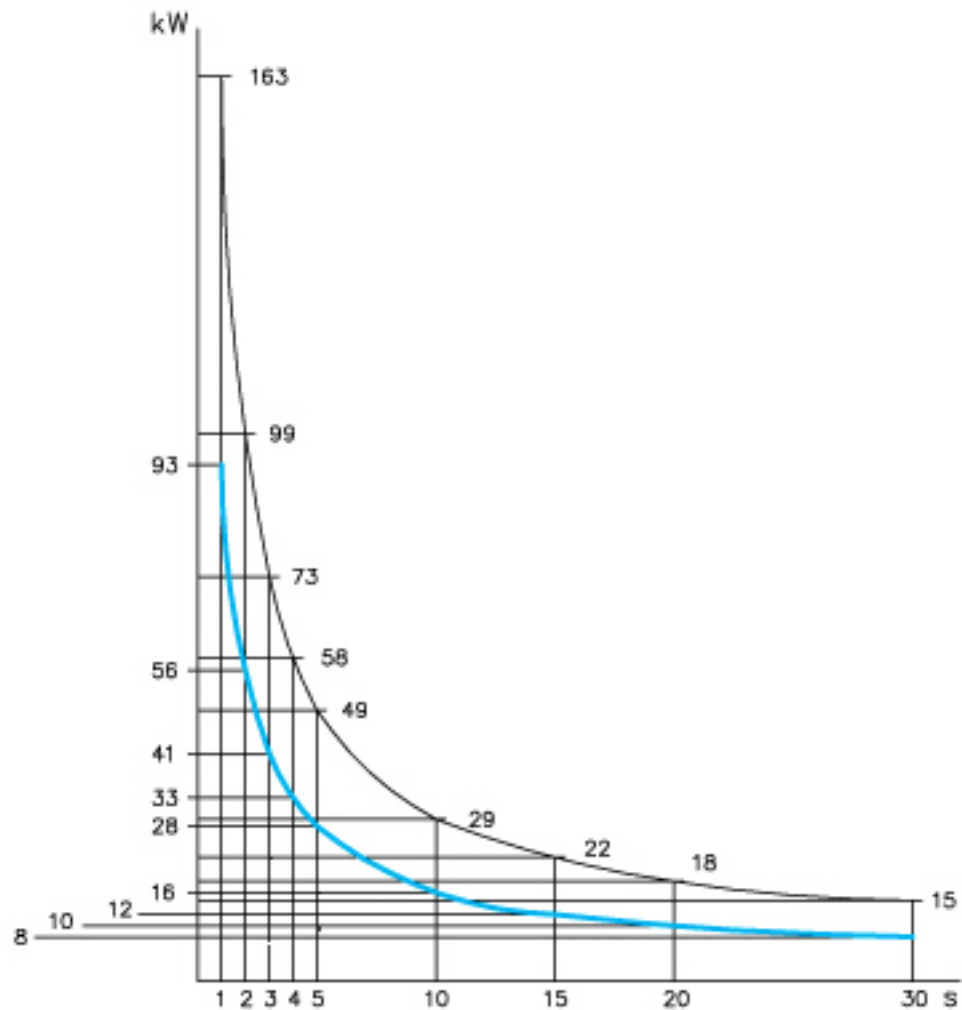
## TECHNICAL DATA

*Braking force F:*  
**D3-ID 14868 N at 100 bar**

---

*Dynamic torque*  
 $= F \cdot (\text{disc radius in m} - 0.033) = Nm$

*Max pressure: 100 bar*  
*Max total wear: 12 mm*  
*Thickness of new lining: 11 mm*  
*Continuous thermal capacity*  
*Qc: 3.4 kW*



INDUSTRIAL CLUTCH PARTS

Industrial Clutch Parts Ltd, Bingswod Industrial Estate,  
 Whaley Bridge, High Peak, United Kingdom SK23 7LY

Tel: +44 (0) 1663 734 627 Fax: +44 (0) 1663 733 023

[www.IndustrialClutch.com](http://www.IndustrialClutch.com)