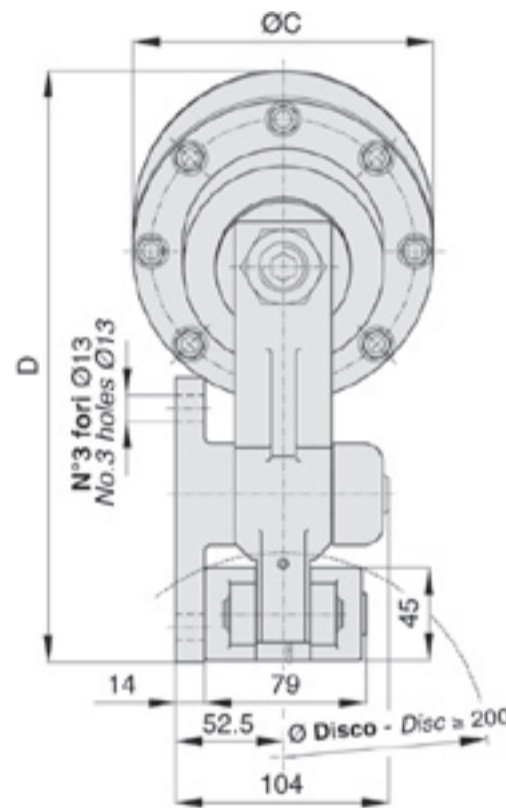
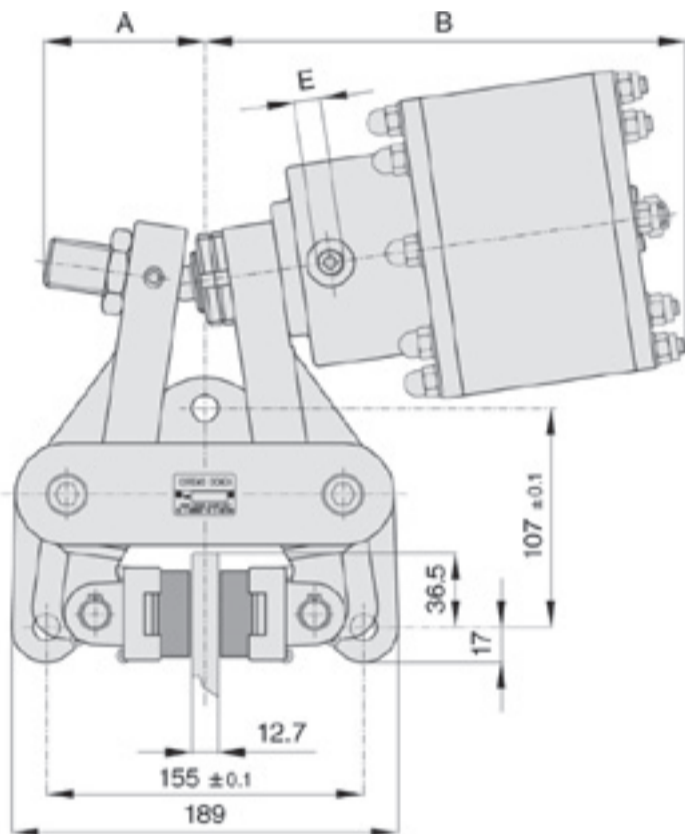
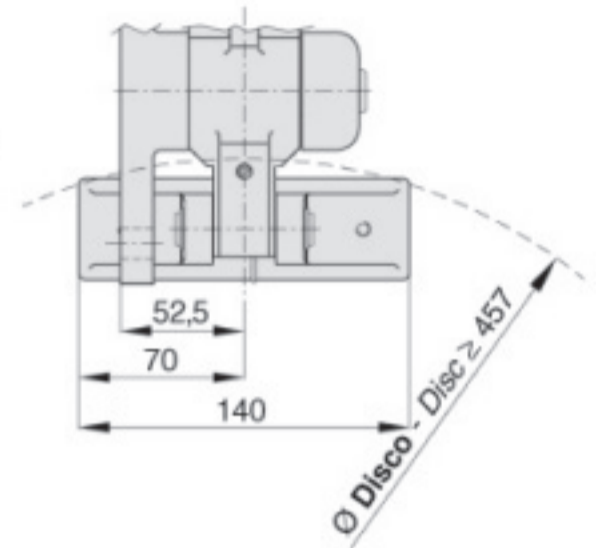




Coremo Hydraulic Failsafe Brake A3N



Versione pattino doppio
Double pad version



TIPO SIZE	Cod. Prodotto Product Number		A	B	ØC	D	Volume aria Air Volume dm ³	Peso Weight kg
	S.P.	S.U.						
A-1N	A2238	A2239	77	182	98	257	0.16	12.5
A-2N	A1864	A1866	80	171	144	275	0.3	13
A-3N	A1872	A1874	79	199	190	300	0.7	16.5
S.P. = Produzione Standard / Standard Production S.U. = Con segnalatore di usura / With Wear Indicator								

Attenzione: La coppia iniziale può essere dal 30% al 50% in meno rispetto al valore nominale, fino all'assestamento del ferodo sul disco.
Warning: The initial torque on new units can be 30% to 50% less than the catalogue value until the friction facing and friction disc are lapped or worn in.



INDUSTRIAL CLUTCH PARTS

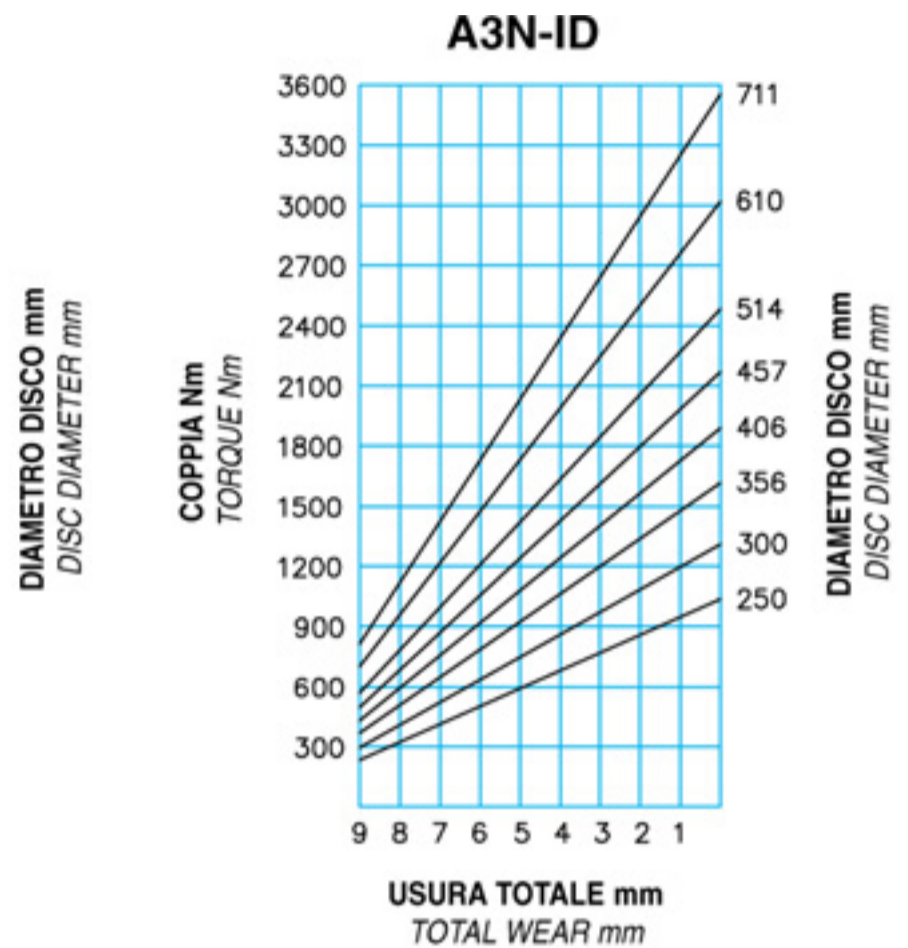
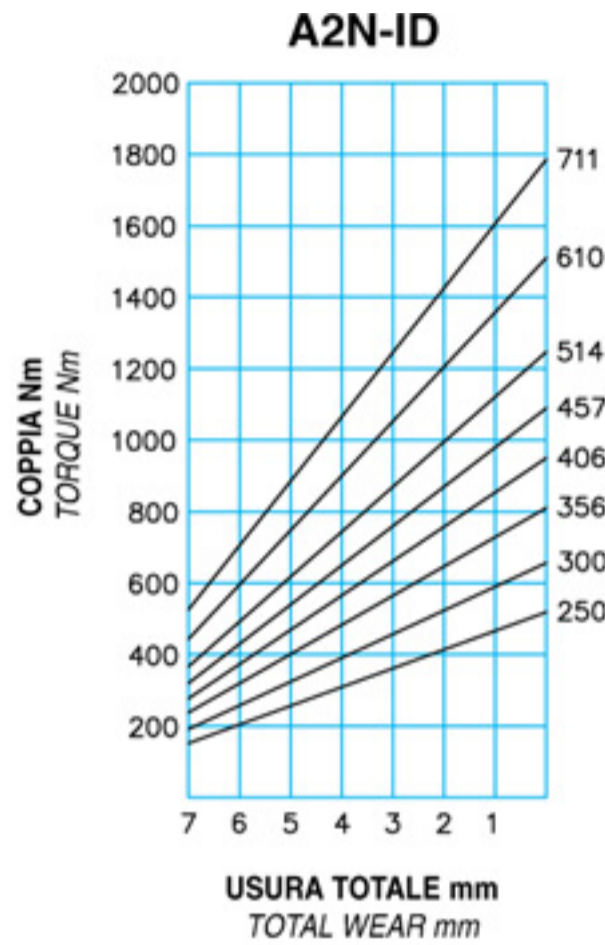
Industrial Clutch Parts Ltd, Bingswod Industrial Estate,
Whaley Bridge, High Peak, United Kingdom SK23 7LY

Tel: +44 (0) 1663 734 627 Fax: +44 (0) 1663 733 023

www.IndustrialClutch.com



Coremo Hydraulic Failsafe Brake A3N



TECHNICAL DATA

Braking force F:

A2N-ID 5480 N

A3N-ID 10970 N

Dynamic torque

= $F \cdot (\text{disc radius in m} - 0.03) = \text{Nm}$

Max total wear: 14 mm

Thickness of new lining: 16 mm

Continuous thermal capacity

Qc: 1.7 kW

Continuous thermal capacity

for double pad version Qc: 2.7 kW

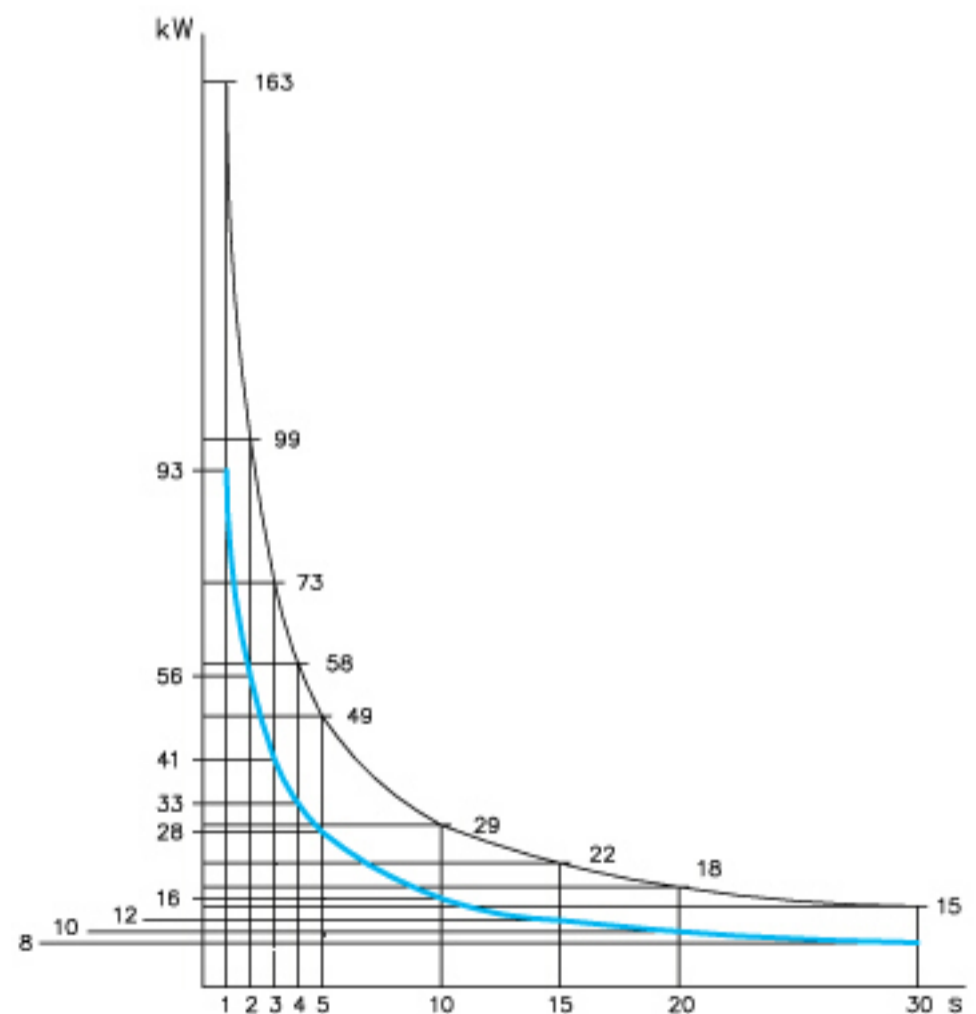
Minimum release pressure: 50 bar

Max pressure: 150 bar

The torque values specified are obtained with n. 4 springs for 2N-ID, n. 8 springs for 3N-ID.

Torque proportionally less are achievable with n. 2 springs for 2N-ID, n. 6-4-2 springs for 3N-ID.

The diagram shows the torque variation for each millimeter of linings wear. Adjust according to ensure the correct torque value is achieved.



INDUSTRIAL CLUTCH PARTS

Industrial Clutch Parts Ltd, Bingswod Industrial Estate,
Whaley Bridge, High Peak, United Kingdom SK23 7LY

Tel: +44 (0) 1663 734 627 Fax: +44 (0) 1663 733 023

www.IndustrialClutch.com