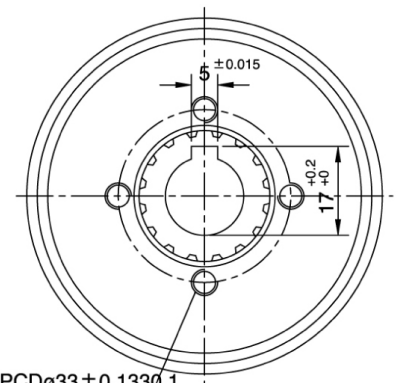
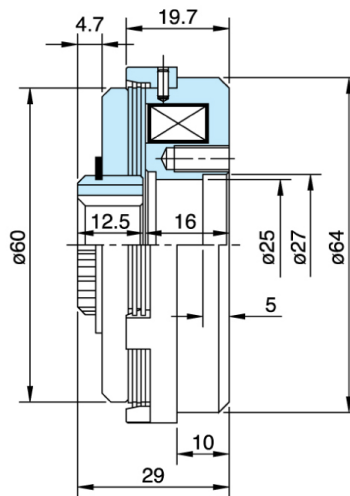
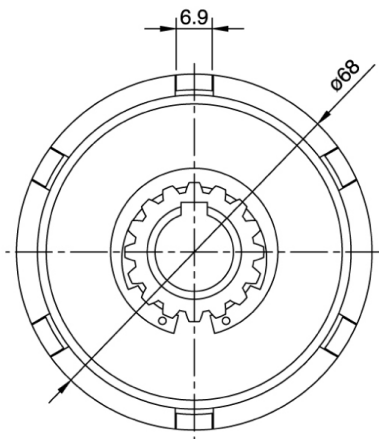




WMB3 Series

Wet Multi-Plate Brake

Model	Voltage (DC-V)	Power at 20°C	Dynamic Friction Torque kgm(Nm)	Static Friction Torque kgm(Nm)	Weight (kg)
WMB30S5AA	12V	7.2W	0.5(5.0)	1.0(10)	0.4



PCD \varnothing 33 \pm 0.133 \varnothing .1
4-M5*0.8P*8L



INDUSTRIAL
CLUTCH PARTS

Industrial Clutch Parts Ltd, Bingswod Industrial Estate,
Whaley Bridge, High Peak, United Kingdom SK23 7LY

Tel: +44 (0) 1663 734 627 Fax: +44 (0) 1663 733 023

www.IndustrialClutch.com