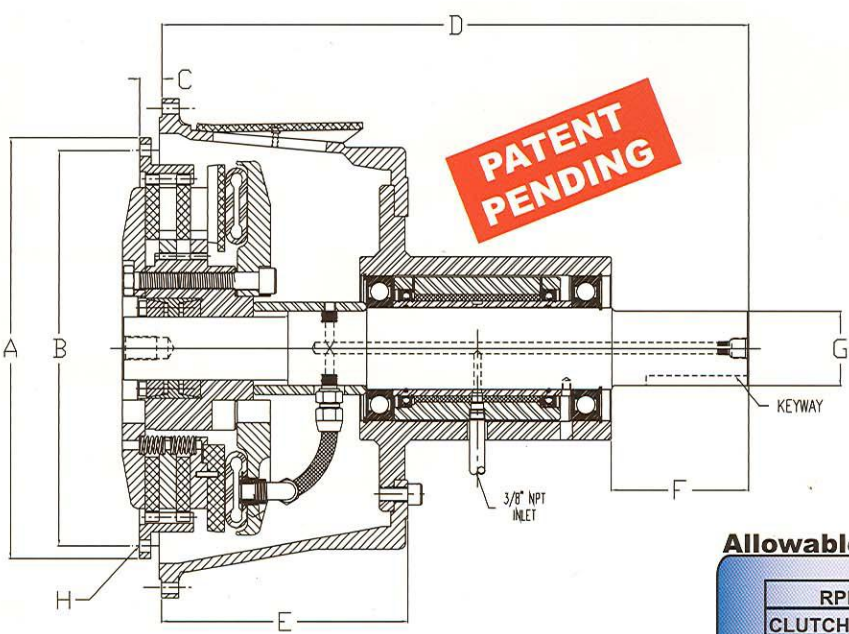


TYPE 3



PATENT PENDING

Horsepower (Kw) Ratings:

CLUTCH SIZE	@ 1800 RPM	@ 2100 RPM	@ 2300 RPM
214H	390/(291)	450/(336)	500/(373)
314H	590/(440)	700/(522)	750/(559)
218	720/(537)	800/(597)	800/(597)
318	1000(746)	1250(932)	1250(932)
321	2100(1566)		

CONSULT WPT® FOR SPECIAL RATINGS

- No pilot bearing
- Remote actuation
- Self-adjusting

- Inline convenience
- Kevlar® reinforced friction discs
- Hydraulic actuation available

Kevlar is a registered trademark of DuPont, Inc.

Allowable Side-Pull Load: lbs (Kgs)

RPM	1200	1800	2100	2300
CLUTCH SIZE				
214H, 314H, 218	1265 (570)	1125 (510)	1080 (490)	1050 (480)
318	1980 (900)	1750 (790)	1670 (760)	1620 (730)
321	1980 (900)	1750 (790)		

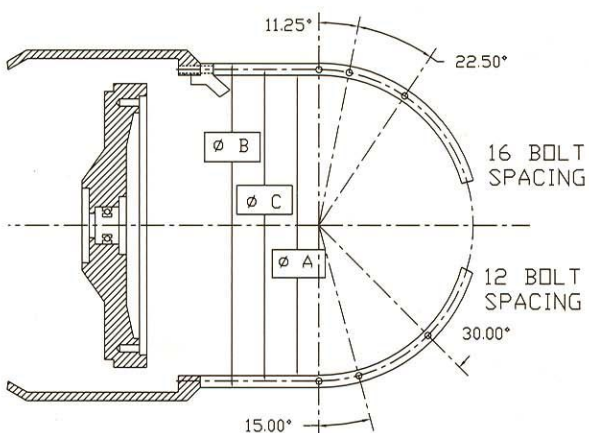
** COMBINED THRUST AND RADIAL LOADS MAY NOT EXCEED MAXIMUM LOAD**

****For B₁₀ Bearing Life=10,000 Hours****

Dimensions:

CLUTCH SIZE	BELL HOUSING	A + .000"/- .005" (+.000/- .127)	B	C	D	E	F	G + .000"/- .001" (+.000/- .025)	KEYWAY	H	QUANTITY H
214H	#1	18.375 (466.725)	17.250 (438.20)	1.00 (25.40)	25.75 (654.10)	10.813 (274.70)	6.00 (152.40)	3.250 (82.550)	3/4 x 3/8 (19.10 x 9.53)	17/32 (13.50)	8
314H	#1	18.375 (466.725)	17.250 (438.20)	1.00 (25.40)	25.75 (654.10)	10.813 (274.70)	6.00 (152.40)	3.250 (82.550)	3/4 x 3/8 (19.10 x 9.53)	17/32 (13.50)	8
314H	#0	18.375 (466.725)	17.250 (438.20)	1.00 (25.40)	25.75 (654.10)	10.813 (274.70)	6.00 (152.40)	3.250 (82.550)	3/4 x 3/8 (19.10 x 9.53)	17/32 (13.50)	8
218	#0	22.500 (571.500)	21.375 (550.50)	0.625 (15.90)	25.75 (654.10)	10.813 (274.70)	6.00 (152.40)	3.250 (82.550)	3/4 x 3/8 (19.10 x 9.53)	21/32 (16.70)	6
318	#0	22.500 (571.500)	21.375 (550.50)	0.625 (15.90)	31.469 (799.30)	13.797 (350.40)	7.25 (184.20)	4.500 (114.300)	1.00 x 1/2 (25.40 x 12.7)	21/32 (16.70)	6
318	#00	22.500 (571.500)	21.375 (550.50)	0.625 (15.90)	33.125 (841.40)	15.734 (399.60)	7.25 (184.20)	4.500 (114.300)	1.00 x 1/2 (25.40 x 12.7)	21/32 (16.70)	6
321	#00	26.500 (673.100)	25.25 (641.40)	0.0 (0.00)	33.125 (841.40)	15.734 (399.60)	7.25 (184.20)	4.500 (114.300)	1.00 x 1/2 (25.40 x 12.7)	21/32 (16.70)	12

****Consult WPT for drawing before final layout.****



SAE J617 Flywheel Housing Identification

INCHES (MM)

SAE Housing #	Pilot Diameter A	Outside Diameter B	Bolt Circle C	Bolt Qty	Bolt Size
1	20.125 (511.18)	21.75 (552.45)	20.875 (530.23)	12	7/16-14
1/2	23.000 (584.20)	25.50 (647.70)	24.375 (619.13)	12	1/2-13
0	25.500 (584.20)	28.00 (711.20)	26.750 (679.45)	16	1/2-13
00	31.000 (787.40)	34.75 (882.65)	33.500 (850.90)	16	1/2-13