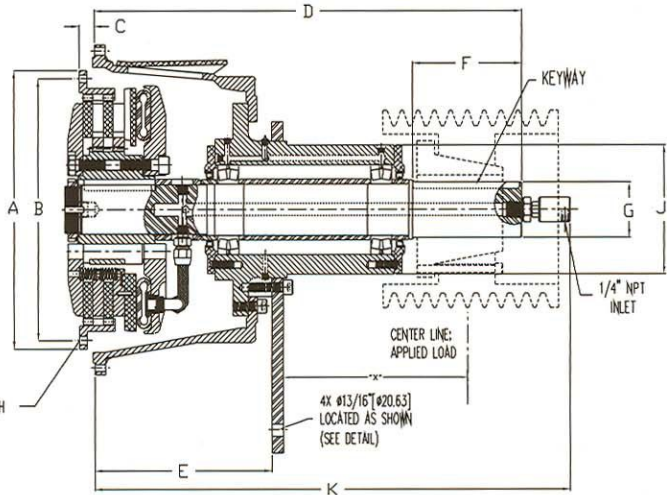


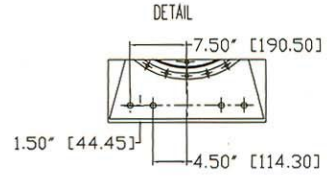
TYPE 2



Horsepower (Kw) Ratings:

CLUTCH SIZE	@ 1800 RPM	@ 2100 RPM	@ 2300 RPM
214H	390/(291)	450/(336)	500/(373)
218	720/(537)	800/(597)	800/(597)

CONSULT WPT® FOR SPECIAL RATINGS



- No pilot bearing
- Remote engagement
- Self-adjusting

- High sideload capacity
- Hydraulic actuation available
- Kevlar® reinforced friction discs

Kevlar is a registered trademark of DuPont, Inc.



Dimensions:

CLUTCH SIZE	BELL HOUSING	A +.000\"/>											
		B	C	D	E	F	G +.000\"/>						
214H	#1	18.375 (466.725)	17.250 (438.20)	1.00 (25.40)	28.341 (719.90)	11.766 (298.90)	7.25 (184.20)	3.625 (92.075)	7/8 x 7/16 (22.20 x 11.10)	17/32 (13.50)	8	8.5 (215.90)	31.57 (801.90)
214H	#0	18.375 (466.725)	17.250 (438.20)	1.00 (25.40)	28.341 (719.90)	11.766 (298.90)	7.25 (184.20)	3.625 (92.075)	7/8 x 7/16 (22.20 x 11.10)	17/32 (13.50)	8	8.5 (215.90)	31.57 (801.90)
218	#0	22.500 (571.500)	21.375 (550.50)	0.625 (15.90)	28.681 (728.50)	12.141 (308.40)	7.25 (184.20)	3.625 (92.075)	7/8 x 7/16 (22.20 x 11.10)	21/32 (16.70)	6	8.5 (215.90)	31.90 (810.260)

****Consult WPT for drawing before final layout.****

Allowable Side-Pull Load: lbs (Kgs)

CLUTCH SIZE	RPM	"X" DISTANCE											
		6" [150]	7" [175]	8" [200]	9" [225]	10" [250]	11" [275]	12" [300]	13" [325]	14" [350]	15" [375]	16" [400]	
214H	2300 RPM	X	X	5140 (2340)	4730 (2150)	4390 (2000)	4090 (1860)	3830 (1740)	3600 (1640)	3400 (1540)	3220 (1460)	3050 (1390)	
	2100 RPM	X	X	5280 (2400)	4860 (2210)	4510 (2050)	4200 (1910)	3930 (1790)	3700 (1680)	3490 (1590)	3300 (1500)	3140 (1430)	
	1800 RPM	X	X	5520 (2510)	5090 (2310)	4720 (2140)	4400 (2000)	4120 (1870)	3870 (1760)	3650 (1660)	3460 (1570)	3250 (1490)	
218	2100 RPM	6530 (2970)	5920 (2690)	5410 (2460)	4980 (2260)	4610 (2100)	4300 (1950)	4020 (1830)	3780 (1720)	3570 (1620)	X	X	
	1800 RPM	6830 (3100)	6180 (2810)	5650 (2570)	5200 (2360)	4820 (2190)	4490 (2040)	4200 (1910)	3950 (1800)	3730 (1700)	X	X	
	1200 RPM	7680 (3490)	6960 (3160)	6360 (2890)	5850 (2660)	5420 (2460)	5050 (2300)	4730 (2150)	4440 (2020)	4190 (1900)	X	X	

****For B₁₀ Bearing Life=10,000 Hours****