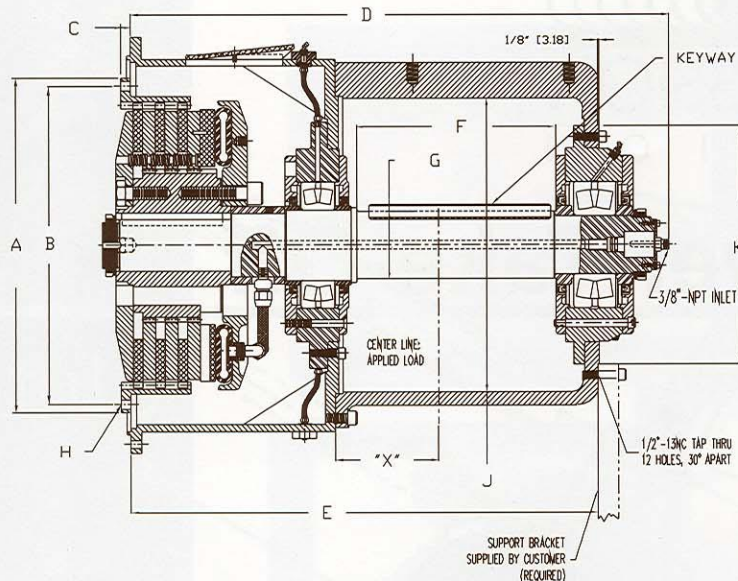


# TYPE 1



## Horsepower (Kw) Ratings:

CLUTCH SIZE	@ 1800 RPM	@ 2100 RPM	@ 2300 RPM
314H	590/(440)	700/(522)	750/(559)
318	1000/(746)	1250/(932)	1250/(932)
321	2100/(1566)		

CONSULT WPT® FOR SPECIAL RATINGS

- No pilot bearing
- Remote engagement
- Self-adjusting

- Highest sideload capacity
- Hydraulic actuation available
- Kevlar® reinforced friction discs
- Belt change without removing rear bearing

Kevlar is a registered trademark of DuPont, Inc.

## Dimensions:

CLUTCH SIZE	BELL HOUSING	A + .000" / - .005" (+ .000 / - .127)	B	C	D	E	F	G + .000" / - .001" (+ .000 / - .025)	KEYWAY	H	QUANTITY H	J	K + .000" / - .005" (+ .000 / - .127)	# OF 8V GROOVES @ MAX DIA.
314H	#1	18.375 (466.725)	17.250 (438.20)	1.00 (25.40)	36.34 (923)	31.500 (800.10)	13.31 (338.10)	4.500 (114.300)	1.00 x 1/2 (25.40 x 12.7)	17/32 (13.50)	8	18.75 (476.30)	16 (406.40)	12
314H	#0	18.375 (466.725)	17.250 (438.20)	1.00 (25.40)	36.34 (923)	31.500 (800.10)	13.31 (338.10)	4.500 (114.300)	1.00 x 1/2 (25.40 x 12.7)	17/32 (13.50)	8	18.75 (476.30)	16 (406.40)	12
318	#0	22.500 (571.500)	21.375 (550.50)	0.625 (15.90)	36.34 (923)	31.500 (800.10)	13.31 (338.10)	4.500 (114.300)	1.00 x 1/2 (25.40 x 12.7)	21/32 (16.70)	6	18.75 (476.30)	16 (406.40)	12 *
318	#00	22.500 (571.500)	21.375 (550.50)	0.625 (15.90)	38 (965.20)	33.150 (842.01)	13.31 (338.10)	4.500 (114.300)	1.00 x 1/2 (25.40 x 12.7)	21/32 (16.70)	6	18.75 (476.30)	16 (406.40)	12 *
321	#00	26.500 (673.100)	25.250 (641.40)	0.0 (0.00)	44.625 (1133.50)	39.781 (1010.40)	19.938 (506.40)	4.750 (120.650)	1 1/4 x 5/8 (31.80 x 15.86)	21/32 (16.70)	12	24.625 (625.50)	18 (457.20)	16 *

**\*\*Consult WPT for drawing before final layout.\*\***

**\*Extended Versions Available**

## Allowable Side-Pull Load: lbs (Kgs)

CLUTCH SIZE	"X" DISTANCE	4"	5"	6"	7"	8"	9"	10"	11"	12"	13"	14"
	[mm]	[100]	[125]	[150]	[175]	[200]	[225]	[250]	[275]	[300]	[330]	[355]
314H	2300 RPM	15420 (7010)	16670 (7580)	18160 (8250)	19930 (9060)	22080 (10040)	24760 (11250)	22760 (10350)	20920 (9510)	19350 (8800)		
	2100 RPM	15870 (7200)	17030 (7730)	18490 (8390)	20230 (9180)	20350 (9230)	18320 (8310)	16650 (7550)	15260 (6920)	14090 (6390)		
	1800 RPM	16540 (7500)	17860 (8100)	19390 (8800)	21220 (9630)	21300 (9660)	19170 (8670)	17430 (7910)	15980 (7250)	14750 (6690)		
	1200 RPM	18740 (8500)	20220 (9170)	21960 (9960)	24030 (10900)	24030 (10900)	21630 (9810)	19660 (8920)	18020 (8170)	16640 (7550)		
318	2100 RPM	15500 (7030)	16700 (7580)	18150 (8230)	19850 (9000)	20500 (9300)	18450 (8370)	16750 (7600)	15350 (6970)	14200 (6440)		
	1800 RPM	16250 (7370)	17550 (7960)	19050 (8640)	20850 (9460)	21450 (9730)	19300 (8750)	17550 (7960)	16100 (7300)	14850 (6740)		
	1200 RPM	18450 (8370)	19900 (9030)	21600 (9800)	23650 (10730)	24150 (10950)	21750 (9870)	19800 (8980)	18150 (8230)	16750 (7600)		
321	2100 RPM	<b>**HIGH SPEED PARTS REQUIRED FOR OPERATOR ABOVE 1800 RPM. CALL WPT® FOR DETAILS**</b>										
	1800 RPM			16400 (7440)	17650 (8010)	18400 (8350)	19600 (8890)	21000 (9530)	21800 (9900)	20100 (9120)	18650 (8460)	17450 (7920)
	1200 RPM			18600 (8440)	19700 (8940)	20900 (9480)	22250 (10090)	23850 (10820)	24550 (11140)	22650 (10270)	21050 (9550)	19650 (8910)

**\*\*For B<sub>10</sub> Bearing Life=10,000 Hours\*\***