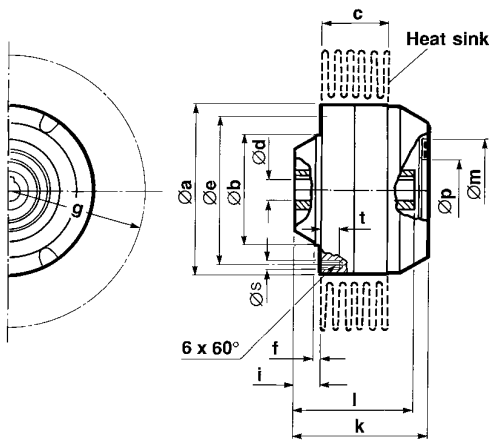
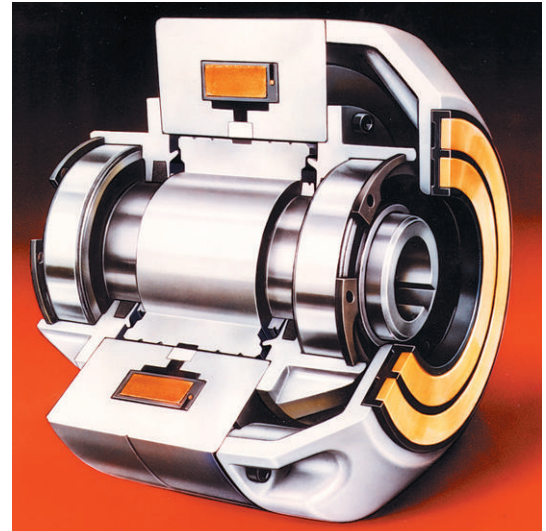


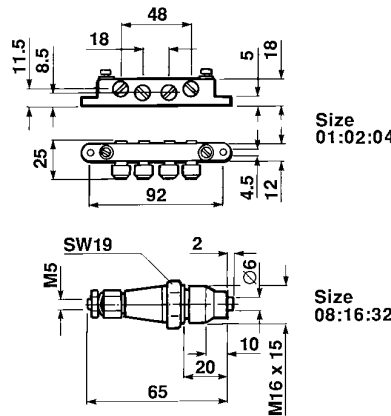
Magneta Simplatorque magnetic particle clutches Type 14.502

Torque is transmitted from outer hub to inner ring through special magnetisable powder which is energised by a 24V coil.

- Torque directly proportional to applied current**
- Suitable for continuous slip duties such as winders and driven pinch rolls**
- Very smooth shock-free torque allows soft starts**
- No maintenance and negligible wear giving long life**
- Provides torque limiting protection**
- Current controllers available – see facing page**



Brush holders



Shafts must be horizontal
Detailed product brochures are available on request.

- Spare brushes:
 - sizes 01 to 04,
S8-199 0X (4/coupling)
 - sizes 08 to 16,
S8-888 755

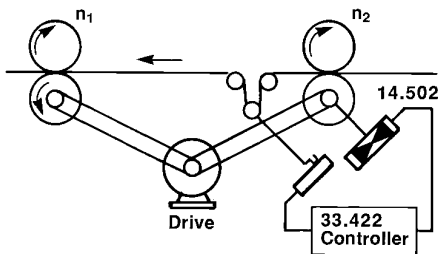
Simplatorque clutches and brakes should be run in on machine commissioning to ensure even powder distribution.

| Size | Rated torque Nm | Bore* dH7 | Stockline No. | | a _{s7} | b _{j7} | c | e | g | i | k | l | m | p | s | t | Weight (kg) | |
|------|-----------------|-----------|-------------------|------------------|-----------------|-----------------|----|-----|-----|------|-------|-----|-----|-----|-----|----|-------------------|----------------|
| | | | without heat sink | with heat sink | | | | | | | | | | | | | without heat sink | with heat sink |
| 01 | 10 | 14 | B2-61 876 | B2-70 849 | 100 | 70 | 45 | 90 | 160 | 20 | 97 | 85 | 76 | 44 | M5 | 10 | 2.7 | 3.6 |
| 02 | 20 | 20 | B2-19 993 | B2-53 703 | 120 | 80 | 50 | 110 | 200 | 24 | 108 | 98 | 76 | 44 | M6 | 10 | 4.4 | 5.9 |
| 04 | 40 | 24 | B2-53 675 | B2-70 822 | 150 | 96 | 60 | 135 | 250 | 24 | 119 | 108 | 76 | 44 | M6 | 10 | 8.4 | 11.1 |
| 08 | 80 | 35 | B2-70 814 | B2-70 806 | 200 | 135 | 65 | 185 | 320 | 33.5 | 147 | 132 | 120 | 82 | M8 | 12 | 16.0 | 20.8 |
| 16 | 100 | 42 | B2-70 794 | B2-70 830 | 250 | 180 | 70 | 235 | 400 | 28 | 140.5 | 126 | 120 | 82 | M10 | 14 | 25.8 | 34.4 |
| 32 | 320 | 60 | B2-63 349 | B2-62 585 | 320 | 235 | 80 | 300 | 480 | 35 | 165 | 150 | 142 | 104 | M10 | 16 | 40.0 | 62.6 |

* Other bores on request, keyways to BS4235

Clutches are supplied complete with brushes

Stockline numbers in black – delivery time on request.



Clutch driving pinch roll

Ordering example

(5) off Simplatorque magnetic particle clutches without heat sink, model 14.502.01, bore 14mm.

Stockline No. B2-61 876

Selection

All selections should be made from the detailed catalogue taking care not to thermally overload Simplatorque clutches, particularly on reel winding applications. The values shown below are for initial guidance only.

| Size | Continuous heat dissipation W | | | |
|------|-------------------------------|------------|----------------|------------|
| | without heat sink | | with heat sink | |
| | 0 r/min | 1500 r/min | 0 r/min | 1500 r/min |
| 01 | 20 | 140 | 65 | 380 |
| 02 | 30 | 200 | 90 | 580 |
| 04 | 45 | 280 | 170 | 840 |
| 08 | 75 | 450 | 220 | 1300 |
| 16 | 100 | 680 | 320 | 1800 |
| 32 | 160 | 1000 | 500 | 3000 |

Also available

Stationary field Simplatorque Clutch Model 14.501.03.1.1, 2.5 Nm rated torque