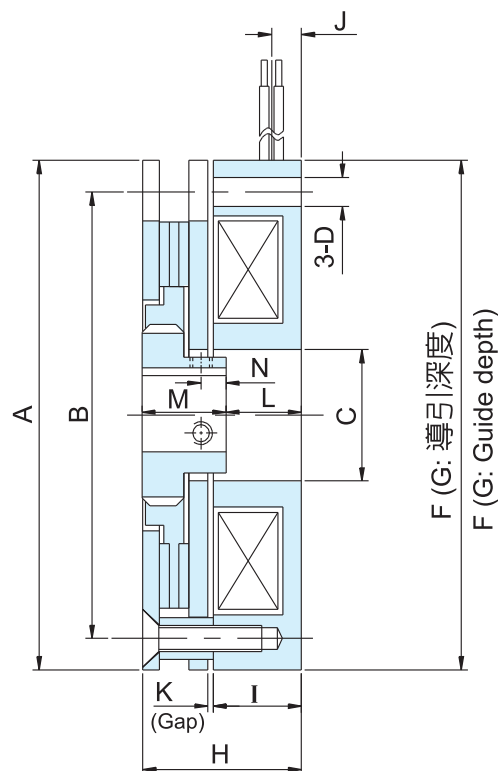
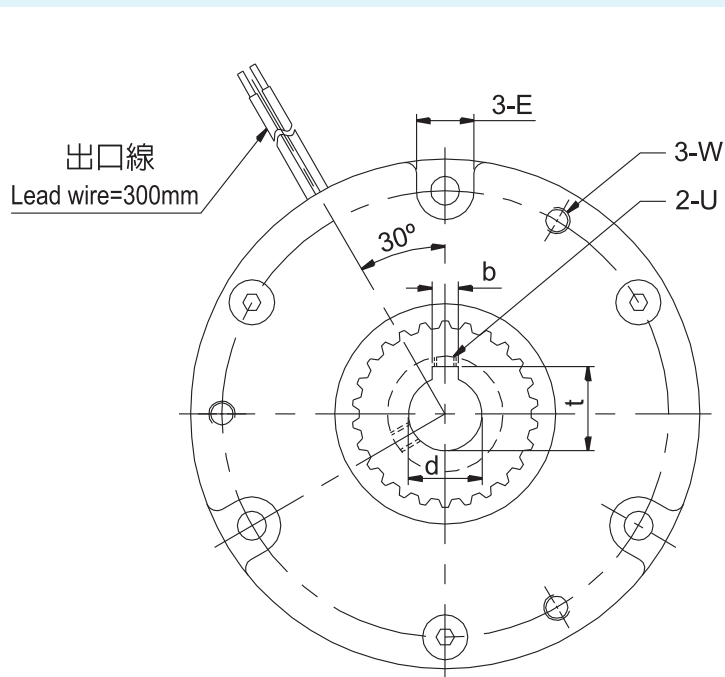


SMB Series



型號 MODEL	SMB0S2AA	SMB0S4AA	SMB0S8AA	SMB1S6AA	SMB003AA	SMB005AA	SMB010AA	SMB020AA	
靜摩擦力 [kg-m] Static Torque	0.2	0.4	0.8	1.6	3	5	10	20	
電壓 (VDC) Voltage	24/90								
功率 (W) Power(@24°C)	9	12.5	15	18	23	26.5	33	45	
慣性距 J (kgcm ²) Moment of inertia J	0.09	0.16	0.29	0.84	0.87	3.84	13	21	
徑向尺寸 Radial	A	77	85	97	117	125	145	165	187
	B	68	74	85	106	112	130	150	170
	C	20	20	25	40	49	49	62	62
	D	4.5	5.5	5.5	5.5	6.5	6.5	9	9
	E	10	11	11	11	14	14.3	18	18
	F _{h9}	77	85	97	117	125	145	165	187
軸向尺寸 Axial	G	3	4	4	4	4	5	5	6
	H	25	27.5	29.4	34.3	45.6	48	60	70
	I	15	16	16.8	19.5	26	27	32	38
	J	6.5	7	7.5	8	9	10	17	22
	K	0.1~0.2	0.1~0.2	0.1~0.2	0.1~0.2	0.1~0.3	0.1~0.3	0.1~0.3	0.1~0.3
	L	17.4	15.6	13.6	15.5	21.5	23.4	22	21
螺孔 Screws	U	-	-	M4*P0.7	M5*P0.8	M6*P1.0	M6*P1.0	M6*P1.0	M6*P1.0
	W	-	-	-	-	M5*P0.8	M5*P0.8	M6*P1.0	M6*P1.0
孔徑 Bore	ød H7	12	12	14	19	19	24	28	32
鍵槽 Keyway	b E9	4	4	5	5	5	7	7	10
	t ^{+0.2} ₊₀	13.5	13.5	16	21	21	27	31	35.5
重量 (kg) Weight	0.6	0.8	1.1	1.8	2.8	3.8	5	12.2	